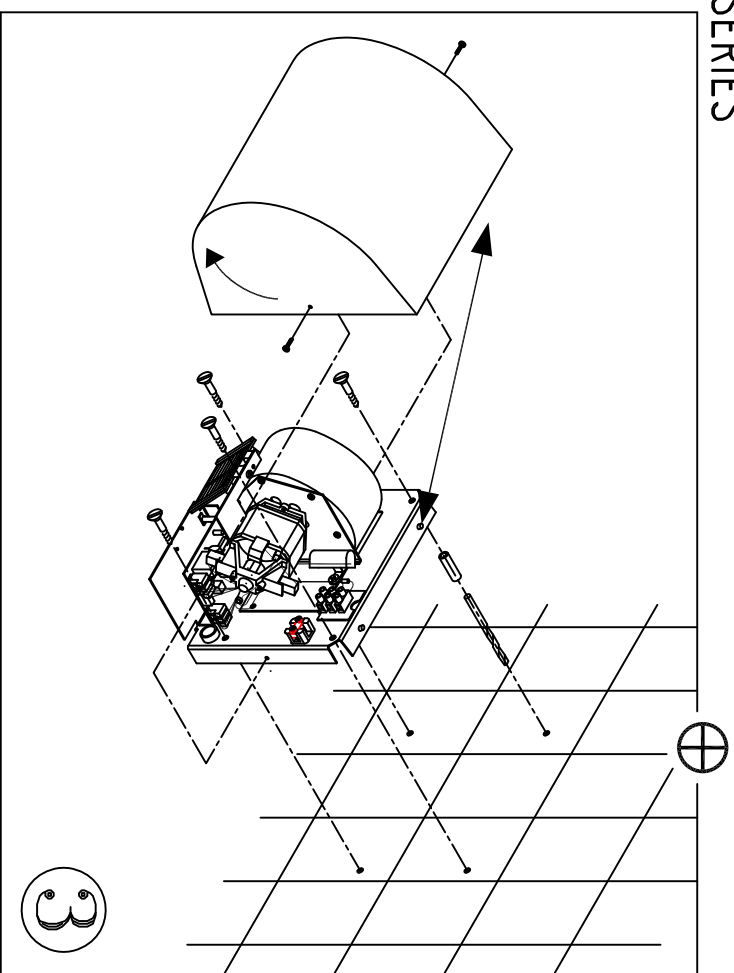
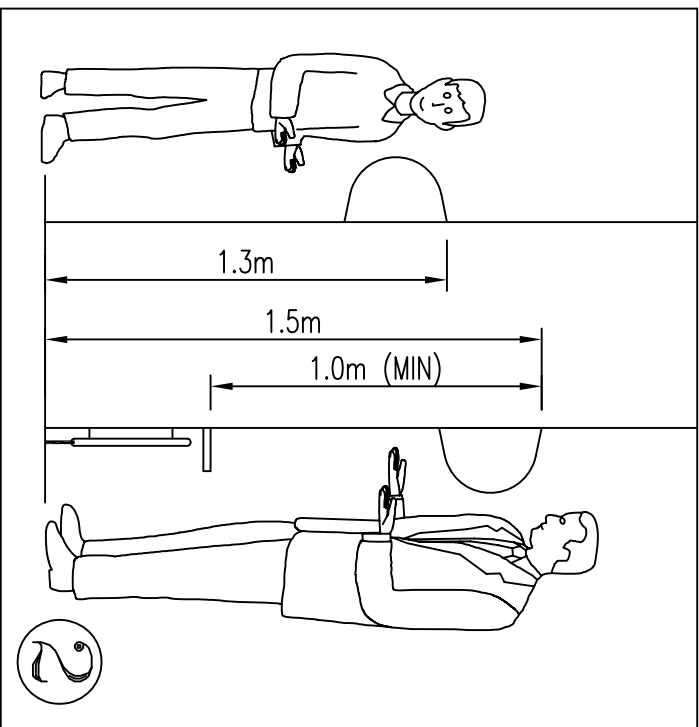
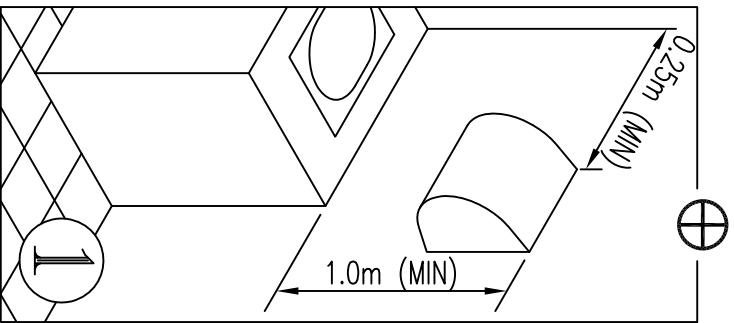




IFS Ltd t/a Intelligent Hand Dryers UK  
[www.intelligenthanddryers.com](http://www.intelligenthanddryers.com)  
0114 286 6394



**ELECTRICAL WARNING – THIS APPLIANCE MUST BE EARTHED. SUITABLE FOR FIXED WIRING ONLY**

ALWAYS ENSURE THAT THE INSTALLATION CONFORMS TO THE CURRENT EDITION OF THE IEE WIRING REGULATIONS. IN PARTICULAR ENSURE THAT THE UNIT IS PROPERLY EARTHED AND SEPARATELY FUSED WITH A SUITABLY RATED FUSE. ALSO ENSURE THAT IT IS CONNECTED TO THE SUPPLY VIA A DOUBLE POLE SWITCH HAVING A CONTACT SEPARATION OF AT LEAST 3mm. CARE SHOULD BE TAKEN THAT SINGLE INSULATED CONDUCTORS CANNOT COME INTO CONTACT WITH THE MOUNTING SURFACE.

AFTER INSTALLATION OR SERVICING, UNITS MUST BE CHECKED, AND ONLY LEFT WHEN ELECTRICALLY AND MECHANICALLY SAFE.

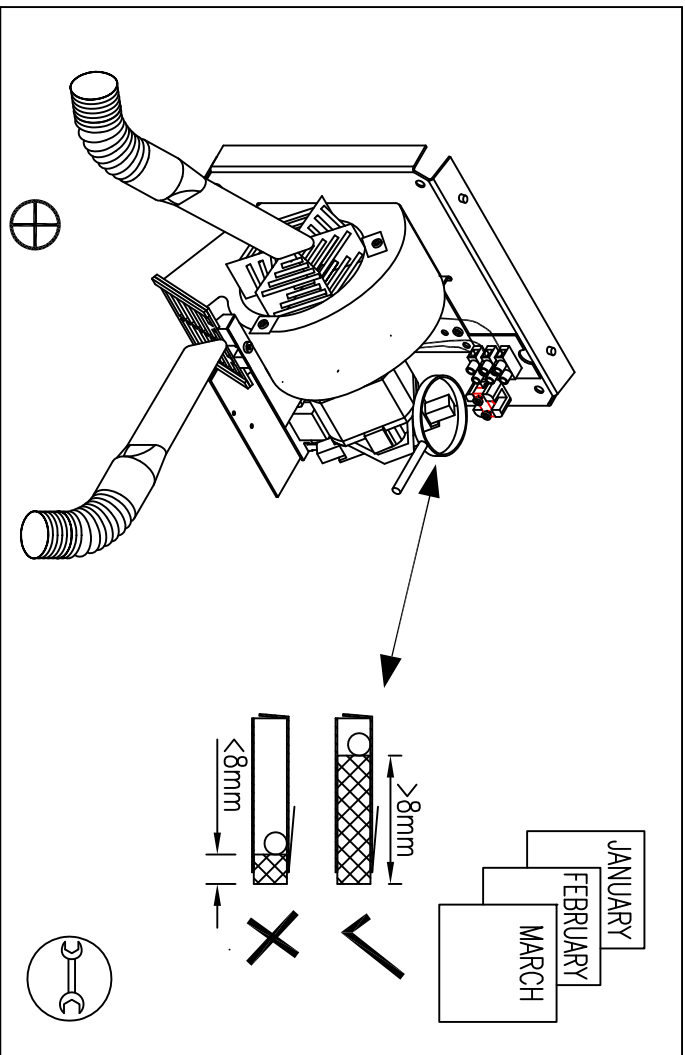
When ordering replacement modules always quote SERIAL NO., MODEL, ELECTRICAL SUPPLY VOLTAGE AND FREQUENCY.



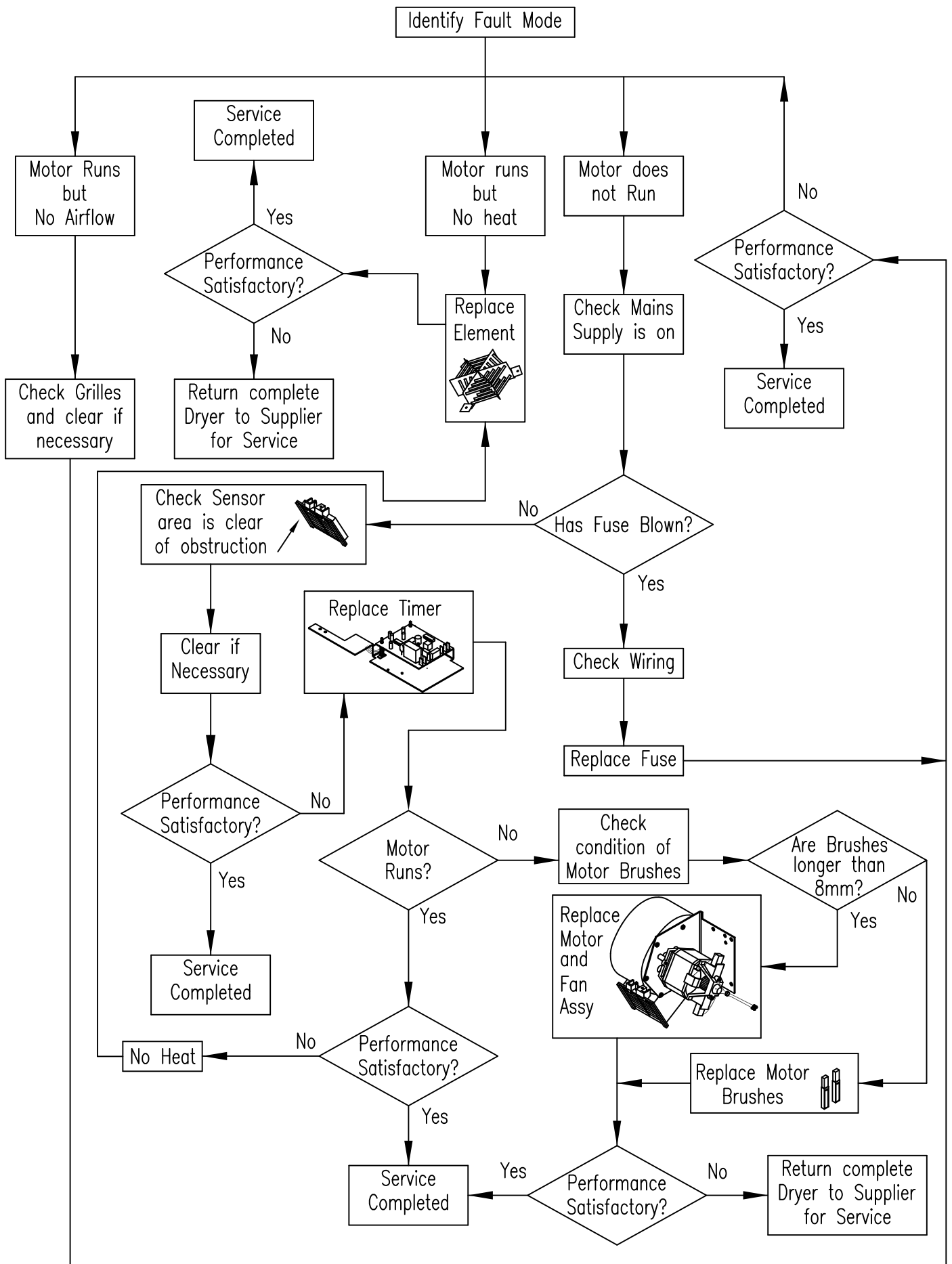
*Guarantee*  
The hand dryer is Guaranteed for five years from the date of purchase against faulty materials or workmanship.

In the event of any part being found to be defective, the hand dryer will be repaired, or at the Manufacturers option replaced, without charge, provided that the hand dryer:

- a) has been installed and used in accordance with the instructions given with each unit.
  - b) has not been connected to an unsuitable electrical supply. (Correct electricity supply requirements are stated on the units rating label).
  - c) has not been subjected to mis-use, neglect or damage.
  - d) has been properly serviced in accordance with the instructions given with each unit.
  - e) has not been modified or repaired by any person not authorised by the Manufacturer.
- This guarantee excludes labour after an initial 12 month period.



THIS UNIT MUST ONLY BE FITTED BY QUALIFIED PERSONNEL.



FAULT DIAGNOSIS CHART