

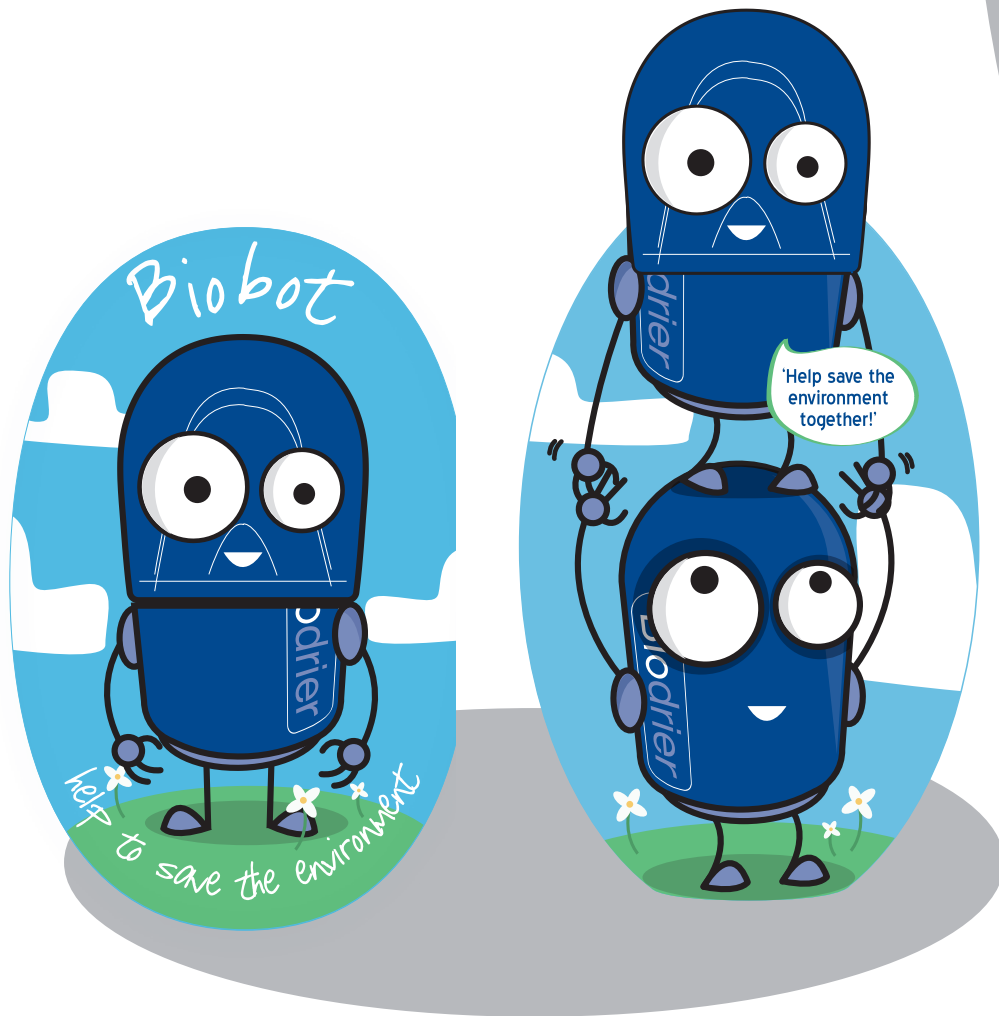


IFS Ltd t/a Intelligent Hand Dryers UK
www.intelligenthanddryers.com
0114 286 6394

Biodrier Biobot

Hand dryer

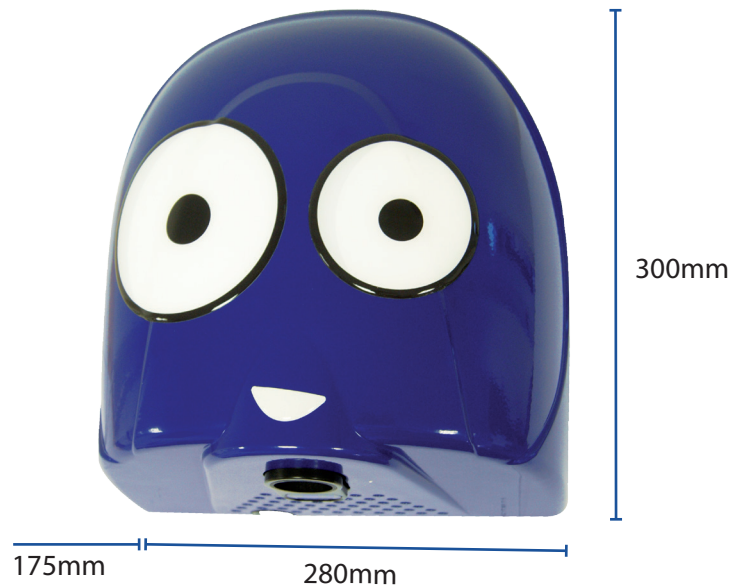
Automatic



High Speed

Surface Mounted High Speed Hand Dryer

Operating Instructions and Parts Manual (Automatic)



Technical Specifications

Item Category	Performance Data
Operating Voltage	220 - 240Vac, 50Hz, 900 WATTS
Warm Air Speed Output	64 m/s, 140m ³ /h
Air Output Temperature	77°F (25°C) - Ambient Temperature 68°F (20°C)
Motor Type	23,000 rpm, 650W, Brush Type, Dual Ball Bearings
Motor Thermal Protection	Auto Resetting Thermostat turns unit off, 240V at 221°F (105°C) - EURO Spec
Heater Element	250W
Heater Thermal Protection	Auto Resetting Thermostat turns unit off at, 149°F (65°C)
Drying Time	Under 10 seconds
Decibel Rating	76 dba @ 1mtr
Circuit Operation	Infrared Automatic, self adjusting
Sensor Range	100 mm
Timing Protection	60 seconds auto shut off
Drip Proof	IP22
Isolation	CLASS 1
Net Weight	4.5 kg
Shipping Weight	5 kg
Unit Size	280mm W x 300mm H x 175mm D
Approvals	CE, WEEE, Greenspec
Item Code	Cover Type/Finish
BB08	Die Cast Aluminium; Epoxy Polyester Powder Coating (Blue)

Surface Mounted High Speed Hand Dryer

Operating Instructions and Parts Manual (Automatic)

General Safety Information

WARNING

Failure to properly ground unit could result in electrical shock and/or death.

This product is intended for installation by a qualified service person. Use AWAG No.16 solid conductor for wiring.

Disconnect power at the service breaker before installing or servicing.

NOT FOR HOUSEHOLD USE - MAY CAUSE BURNS
"IMPROPRE A L'USAGE DOMESTIQUE - PUET OCCASIONNER."

All units must be supplied with a 3-wire service. The ground wire must be connected with the dryers back plate.

NOTE: Do not install dryer over wash basin.

Type Y attachment

If the power supply cord is damaged, it must be replaced by the manufacturer or its service agent or a similar qualified person in order to avoid a hazard.

Means for disconnection must be incorporated in the fixed wiring in accordance with the wiring rules.

Installation

Installation must be carried out only by a qualified electrician

1. Make sure power supply breaker is switched off. Installation must be carried out in accordance with the current edition of the local wiring regulations code having jurisdiction. Installation should be performed only by a qualified electrician.

2. Place template against wall at desired height (see mounting height recommendations) and mark locations of 4 mounting holes and wire service entry at knockout (KO) location.

NOTE: For two or more dryers, dryers should be no closer than 24 inches (610 mm) on centre.

3. Remove and retain 2 cover screws and cover.

4. Connect supply wires to terminal block where indicated and connect ground wire to baseplate with ground screw.

Connections:

- a. Connect the live wire (coloured red or brown) to the terminal block marked "L".
- b. Connect the neutral wire (coloured black or blue) to the terminal block marked "N".
- c. Connect the ground wire (coloured green or green and yellow) to the green screw marked "⊕".

Note that the colour of live and neutral wires depends on voltage of supply service.

5. Replace cover. Do not over-tighten screws.

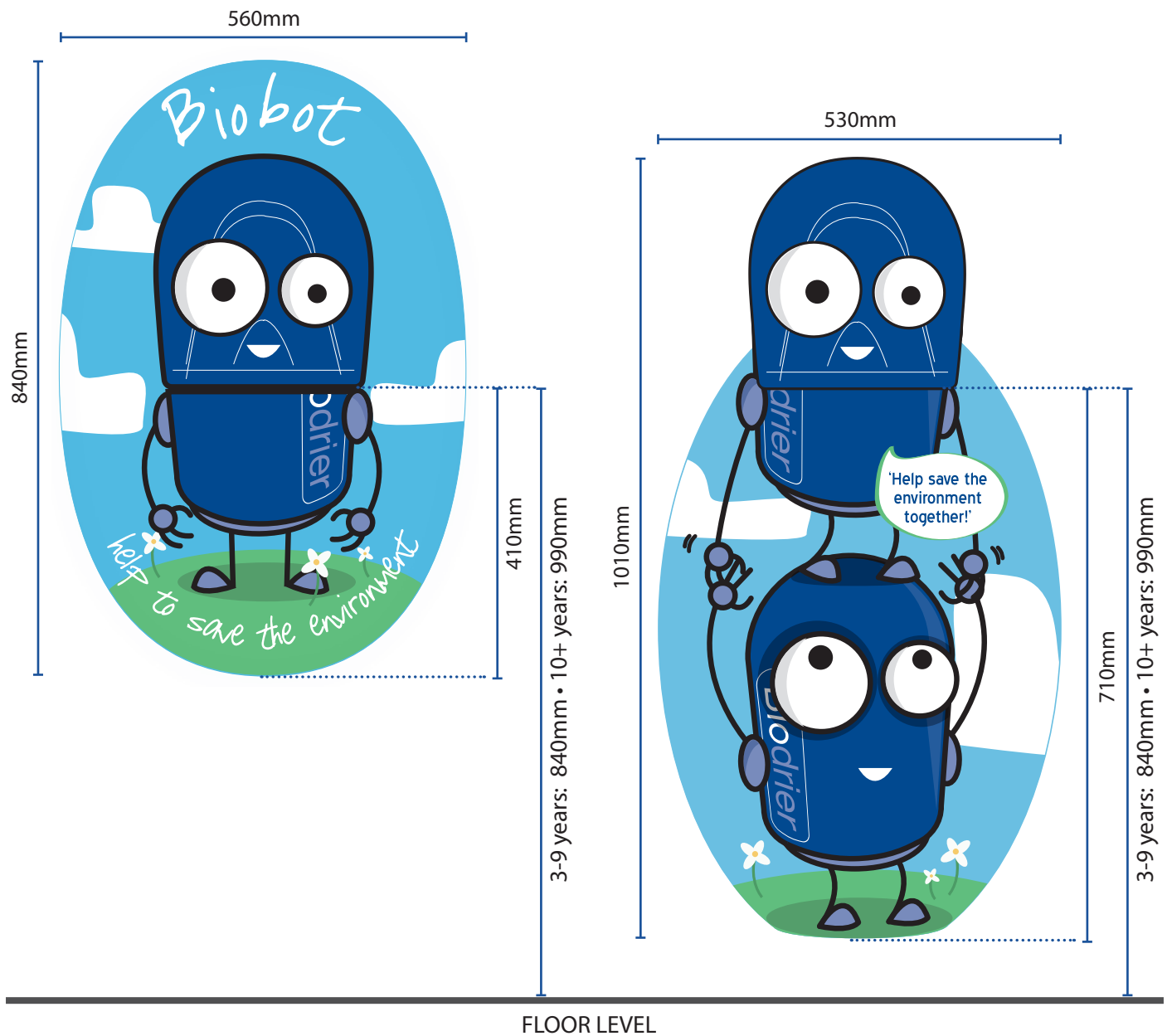
Surface Mounted High Speed Hand Dryer

Operating Instructions and Parts Manual (Automatic)

Recommended Mounting Heights

From floor to bottom of dryer unit.

Children, ages 3-9	Children, ages 10+
33"	39"
84cm	99 cm



Surface Mounted High Speed Hand Dryer

Operating Instructions and Parts Manual (Automatic)

Operation

- No touch operation.
- Shake excess water from hands.
- Place hands under the outlet to start operation.
- Rub hands lightly and rapidly.
- Stops automatically after hands are removed.

Cleaning and Maintenance

All surfaces of the unit should be cleaned daily with a soft cloth dampened with warm, soapy water. Polish with a soft dry cloth.

DO NOT use caustic solutions or abrasive cleaning materials on the drier.



Resources

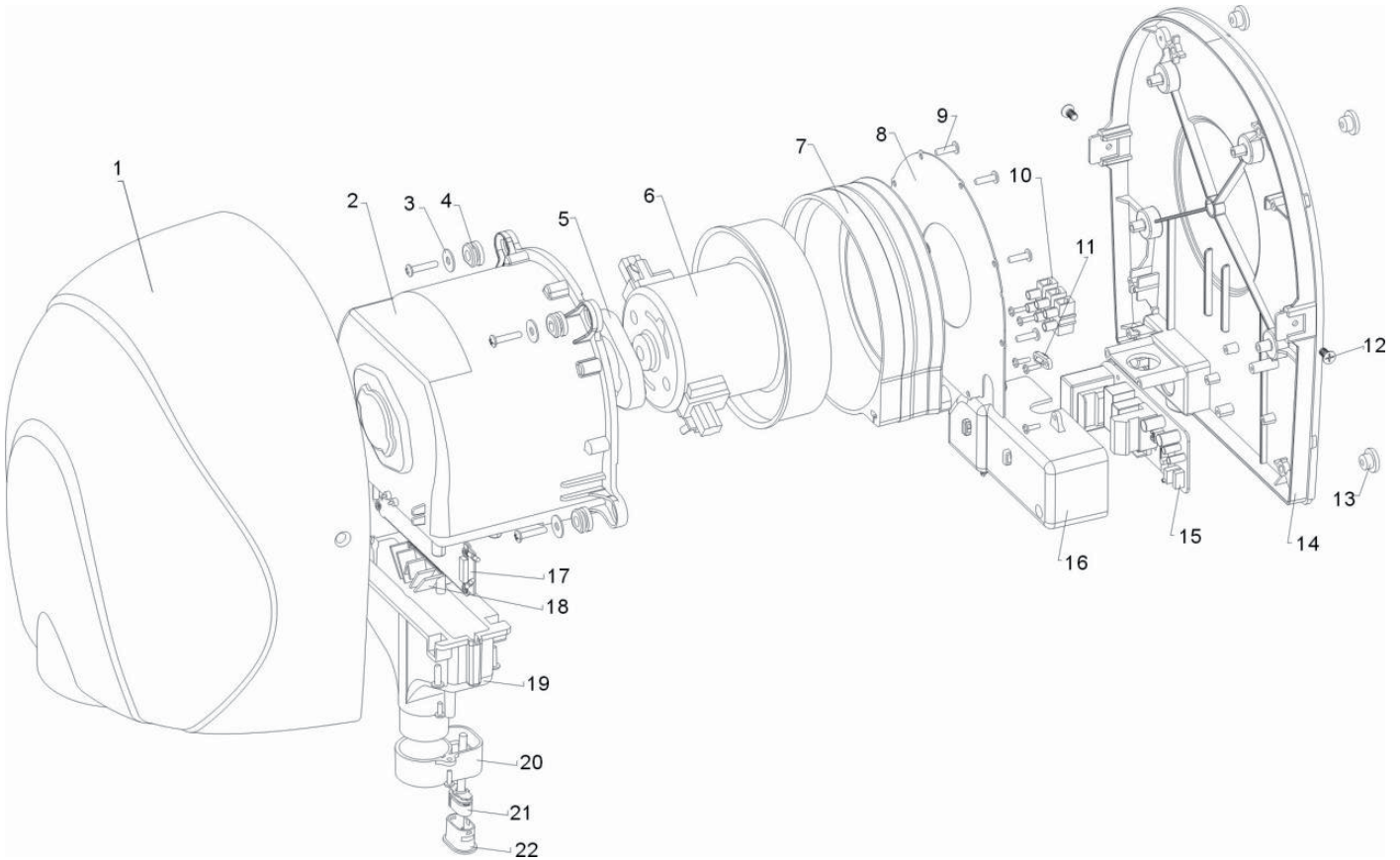
For more information including performance data, the Biobot blog and Make Your Own Biobot worksheets visit:

www.biodrier.com

Eco Surface Mounted High Speed Hand Dryer

Operating Instructions and Parts Manual (Automatic)

Diagram and Parts List



Key	Description
1	Die Cast Cover
2	Motor Housing
3	Rubber Washer
4	Shock Absorber
5	Motor Rubber
6	Rubber
7	Blower Housing
8	Blower Mounting Plate
9	Mounting Plate Screws
10	Electrical Terminal Block
11	Cable Clamp

Key	Description
12	Cover Screws
13	Nylon Bushes
14	Base Plate
15	Circuit Board Module
16	Circuit Board Cover
17	Heater Element
18	Baffle Plate
19	Air Outlet /baffle
20	Senor Bracket
21	Sensor Module
22	Sensor Screen

Eco Surface Mounted High Speed Hand Dryer

Operating Instructions and Parts Manual (Automatic)

Installation Template

